



LEFROY BROOKS

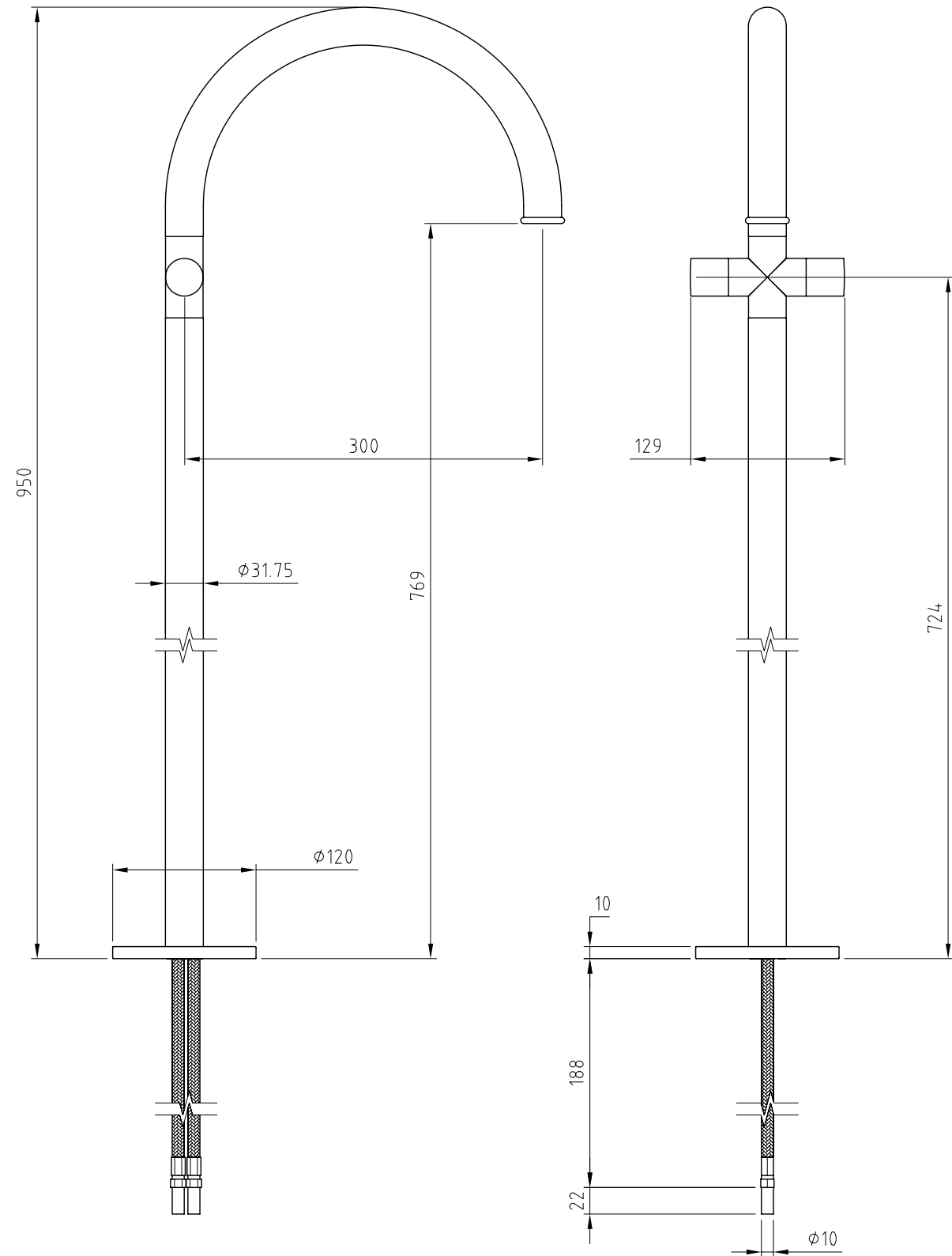
IBROC HOUSE ESSEX ROAD HODDESDON
HERTS EN11 0QS ENGLAND

XO5115

ZEN BATH FILL WITH INTEGRAL FLOW CONTROLS

DIMENSIONAL DATA SHEET

DATE 20 MARCH 2003
NUMBER 30 069 5115 A

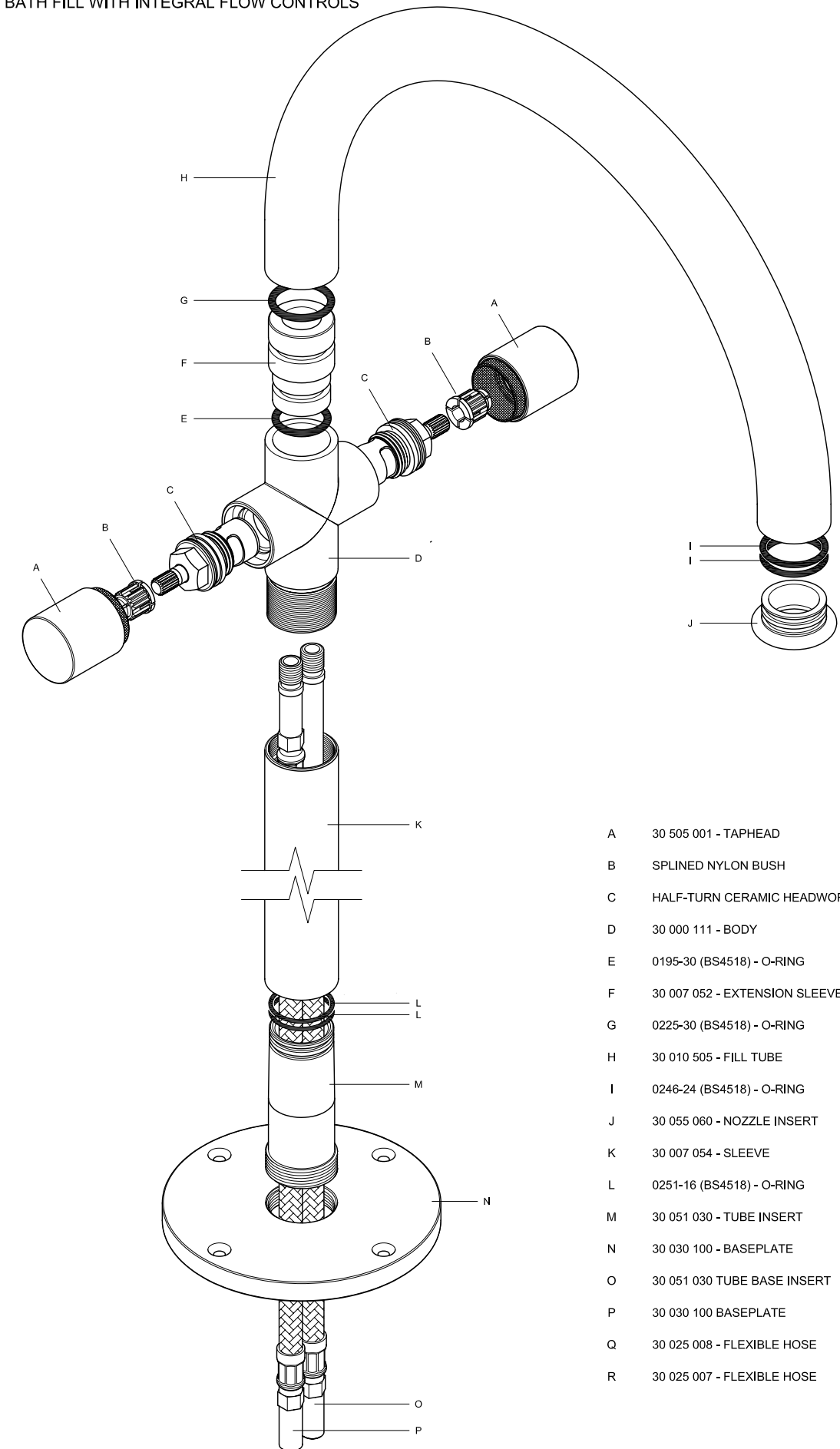


DIMENSIONS IN MILLIMETRES

Whilst every effort is made to ensure the accuracy of these data they are subject to change without notice as part of the company's continuing product development process

XO5115

ZEN BATH FILL WITH INTEGRAL FLOW CONTROLS



- A 30 505 001 - TAPHEAD
- B SPLINED NYLON BUSH
- C HALF-TURN CERAMIC HEADWORK
- D 30 000 111 - BODY
- E 0195-30 (BS4518) - O-RING
- F 30 007 052 - EXTENSION SLEEVE
- G 0225-30 (BS4518) - O-RING
- H 30 010 505 - FILL TUBE
- I 0246-24 (BS4518) - O-RING
- J 30 055 060 - NOZZLE INSERT
- K 30 007 054 - SLEEVE
- L 0251-16 (BS4518) - O-RING
- M 30 051 030 - TUBE INSERT
- N 30 030 100 - BASEPLATE
- O 30 051 030 TUBE BASE INSERT
- P 30 030 100 BASEPLATE
- Q 30 025 008 - FLEXIBLE HOSE
- R 30 025 007 - FLEXIBLE HOSE