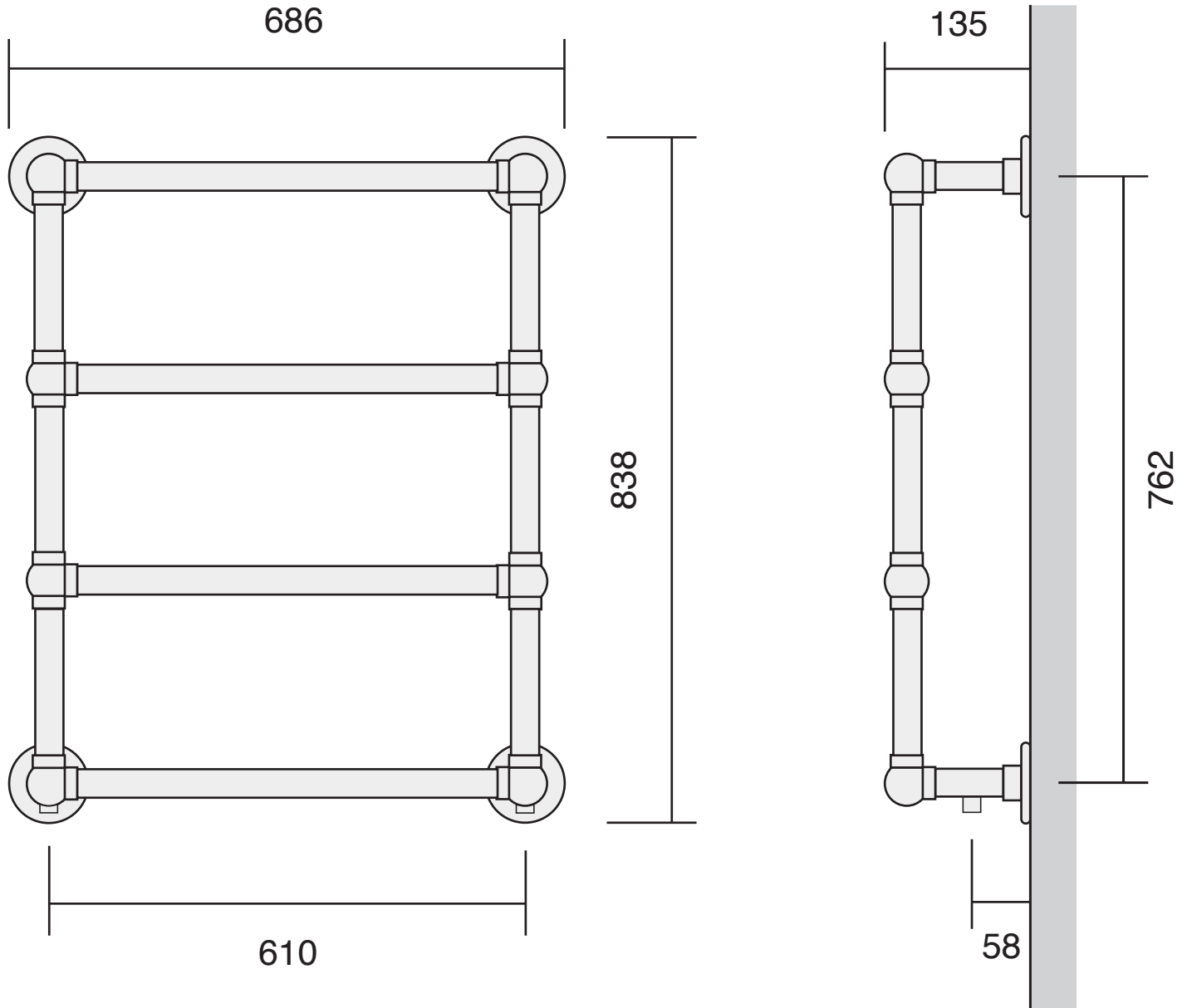


All dimensions are in mm and may vary +/- 5mm as they are hand made, hand soldered and polished



Test pressure: **6 BAR**

Max working pressure: **3 BAR**

Max working temperature: **100 °C**

Connections: **1 1/2" FI**

Heat output determined in accordance with EN 442

Btu/hr @ Delta 60: **710**

Overall height: **838**

Width over flange: **679**

Projection: **135**

Valve centres: **610**

Tube \varnothing mm: **25.4**

All Bard & Brazier rails are made in England from high quality brass and can be used on any system